

NE4-NH3

NE4-NH3 is an ammonia gas sensor for industrial application. 2 more types except standard are also available for higher concentration in the next page. It is very stable in normal circumstance for more than 6 months, and can detect ammonia with excellent accuracy without reduction of sensitivity. Additionally, since it is applicable in exceedingly low temperature, it is available for many applications. By adhering to industry standards for size and connection orientation, the NE4-NH3 can be retrofitted easily to existing product designs.

• Characteristics

Items	Features
Detected gas conc.	NH ₃ 0~100ppm
Output current	40±12nA/ppm
Repeatability	Less than ±10%
Response speed	T90 : less than 90sec.
Zero offset drift	Less than 15ppm(-30~50°C)
Temperature	-40~+50°C
Humidity	15~90%RH

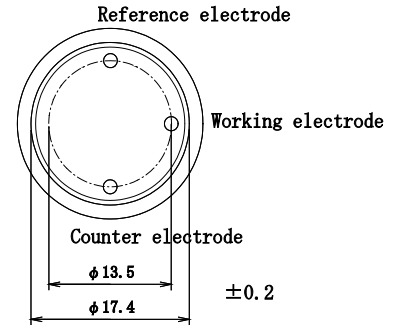
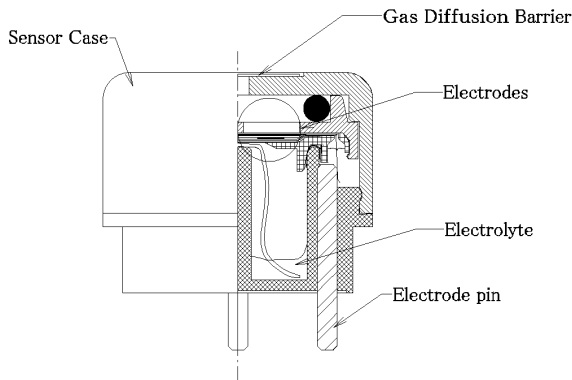
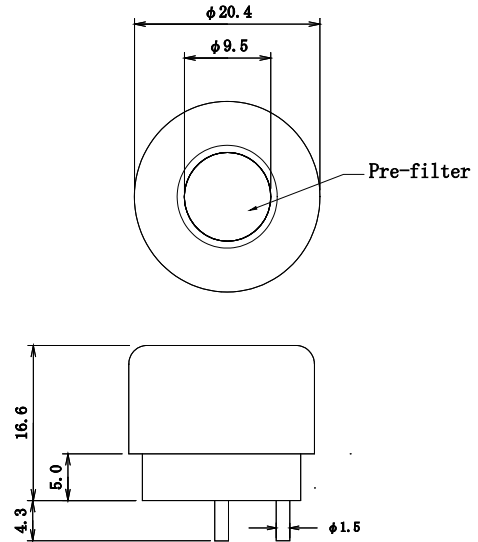


Fig. Structure of NE4-NH3 (Body color : Violet)

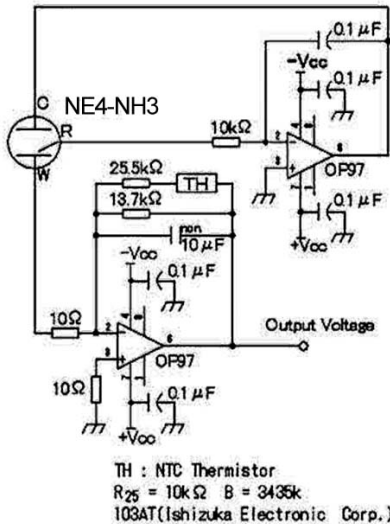


Fig. Recommended circuit diagram

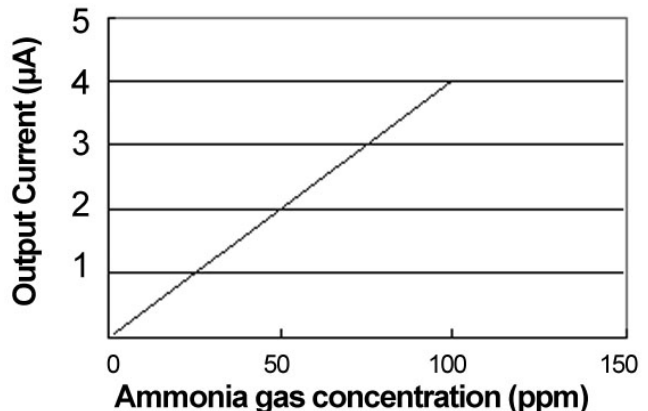


Fig. Gas concentration characteristics