

NE4-HCHO

NE4-HCHO is a formaldehyde gas sensor, and is applicable for detecting and measuring formaldehyde generated from woody construction material or remained concentration after sterilization. Since it can detect even 0.5ppm of HCHO, it is applicable for various equipment. By adhering to industry standards for size and connection orientation, the NE4-HCHO can be retrofitted easily to existing product designs.

• Characteristics

Items	Features
Detected gas conc.	HCHO 0~50ppm
Output current	80±20nA/ppm
Repeatability	Less than ±2%
Detection limit	0.1ppm
Response time	T90 : less than 120sec.
Zero offset drift	Less than 3ppm(-20~50°C)
Temperature	-20~+50°C
Humidity	15~90%RH

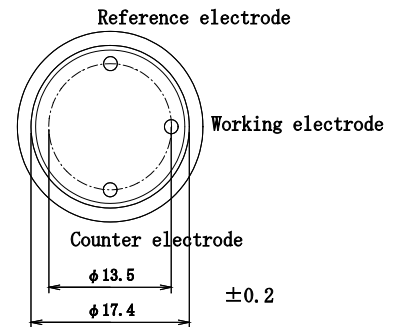
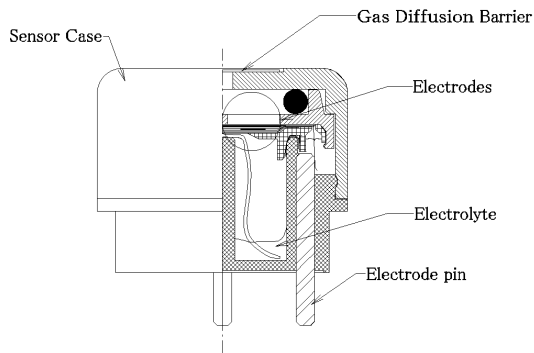
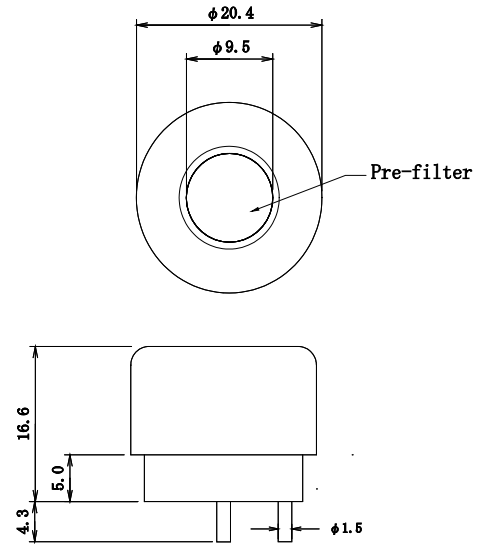


Fig. Structure of NE-HCHO (Body color : Black)

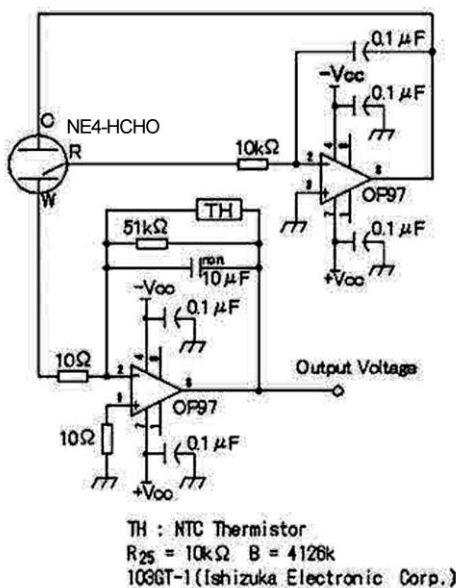


Fig. Recommended circuit diagram

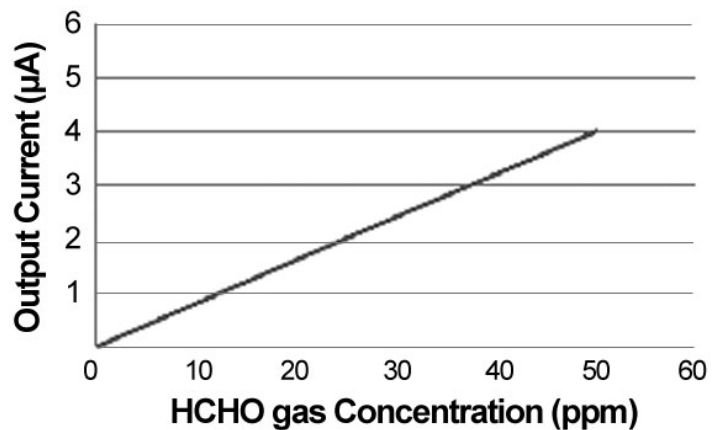


Fig. Gas concentration characteristics